

USER MANUAL



Thank you for choosing Better Bathrooms.
Please read this manual before installing your product
and keep for future reference.

better 
bathrooms

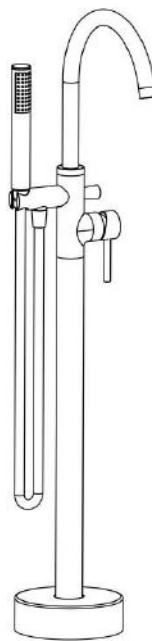
Product

ARIMB009 - Arissa Matt Black Freestanding Bath Shower Mixer Tap

ARIBB009 - Arissa Brushed Brass Freestanding Bath Shower Mixer Tap

ARIMW004 - Arissa Matt White Freestanding Bath Shower Mixer Tap

ARIVRG004 - Arissa Vapour Rose Gold Freestanding Bath Shower Mixer
Tap



- **Single-person assembly**
- **Tools required**
- **We always recommend using professional tradespeople to install your product**

V1_3/9/2022

Congratulations on your purchase

And welcome to our growing gang of savvy shoppers

We're on a mission to bring you extraordinary bathroom products, for less. From modern to traditional style ceramics, plus the gorgeous fixtures, fittings and furniture to match. So, you can fall in love with your space every single day.

As one of the UK's largest independent bathroom stores, we've received countless awards; including the National Business Awards UK, the Digital Entrepreneur Awards and being placed on The Sunday Times Fast Track 100.

We hope your new product goes above and beyond your expectations. However, should any problems occur, please:

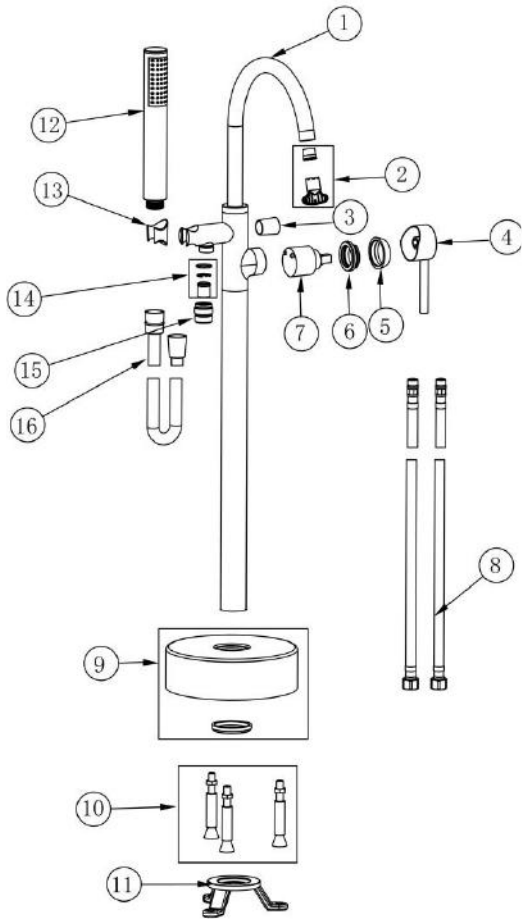
- log in to your account and contact our customer services team via your self-serve portal – betterbathrooms.com/CustomerAccount/Login
- contact us via betterbathrooms.com/content/contact-us

Important information

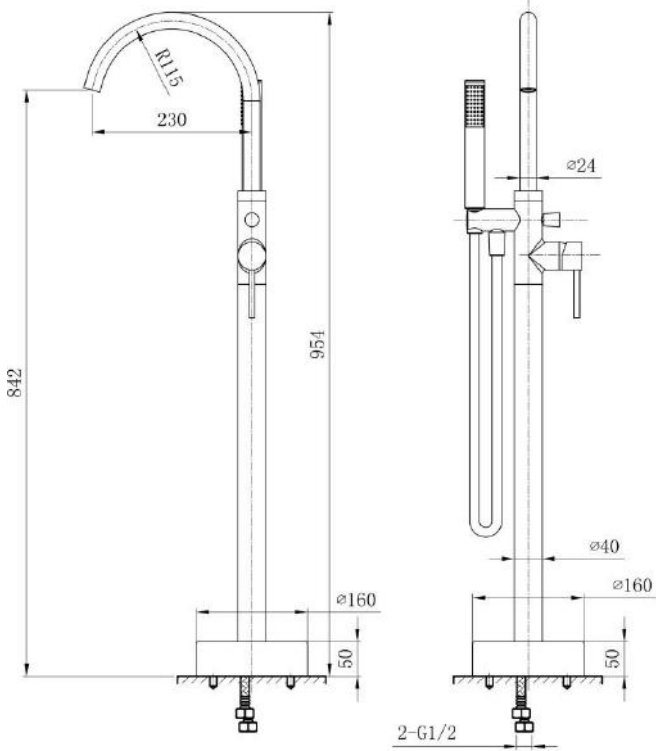
- Please read these instructions thoroughly and retain for future reference
- Installation must be carried out in compliance with The Water Fittings Regulations and Scottish Water Byelaws.
- The system must be flushed prior to installation
- Minimum and Maximum working pressure : 1 - 5 bar
- Pressures must be equal for optimum performance
- Please do not connect hot and cold water supply lines in reverse. This could result in hot water flowing from cold line and cause scalding.
- The feed-water temperature of water shall not exceed 85°C. Exceeding 85° may cause scalding, the service life of faucets might be shortened, or the faucet might be damaged.
- After installation, please make sure the faucet is securely mounted and checked for leaks.

Parts / Diagrams

No	Part Description	No	Part Description
1	Body with spout assembled	9	Base assembled
2	Aerator with key	10	Fixing bolts
3	Divertor knob	11	Mounting seat
4	Handle assembled	12	Hand shower
5	Dome	13	Platic protective sleeve
6	Locknut	14	Non-return valve
7	Cartridge	15	Connector
8	Inlet hoses	16	Shower hose



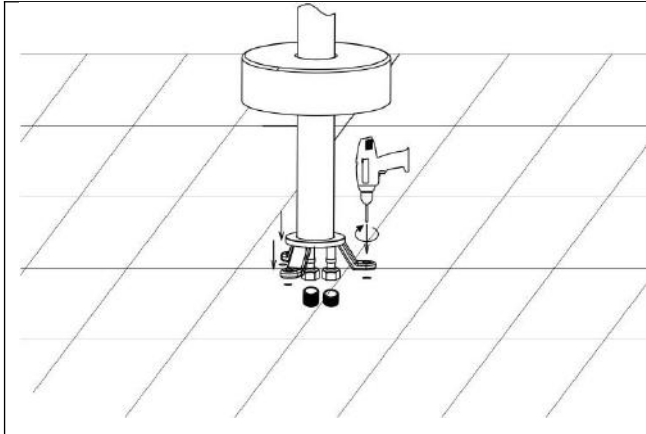
Dimensions



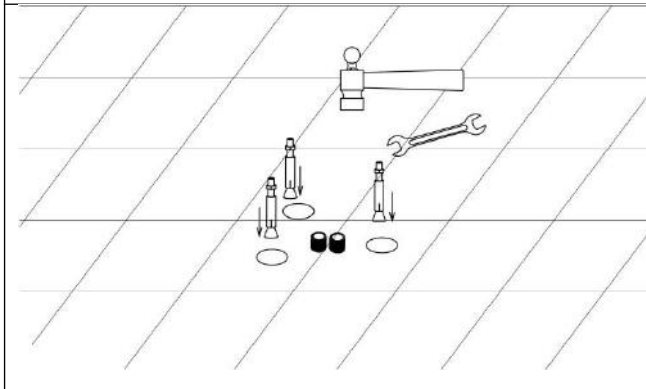
Tools required

- Spanner
- Drill and bit
- Hammer

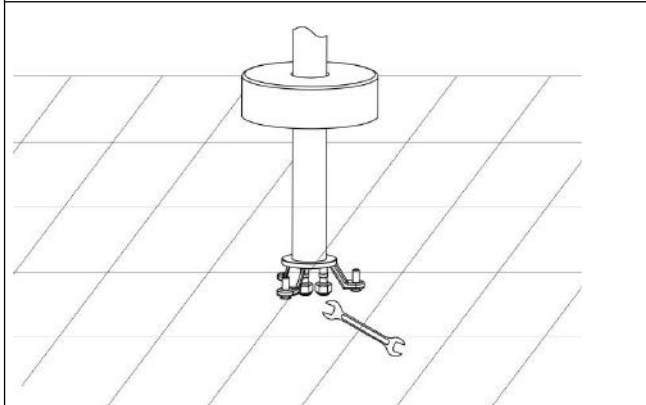
Installation



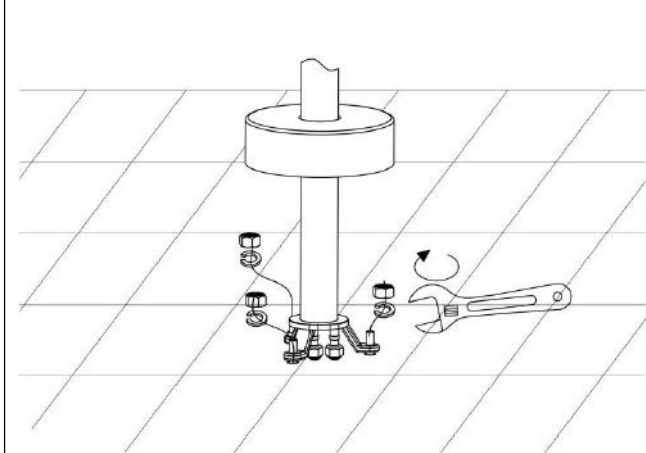
Mark out the fixing positions on the flooring basing on the body and drill 3 holes.

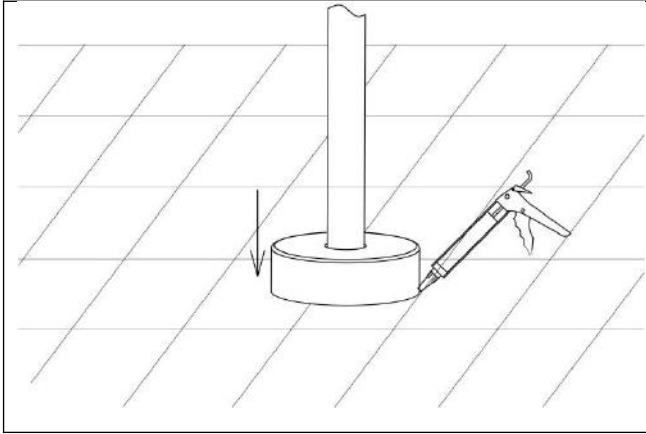


Fix the floor screws into the holes.



Push the mounting seat over floor screws and fasten with steel gasket and nut. Connect the inlet hoses with hot (Left) and cold (right) water pipes.

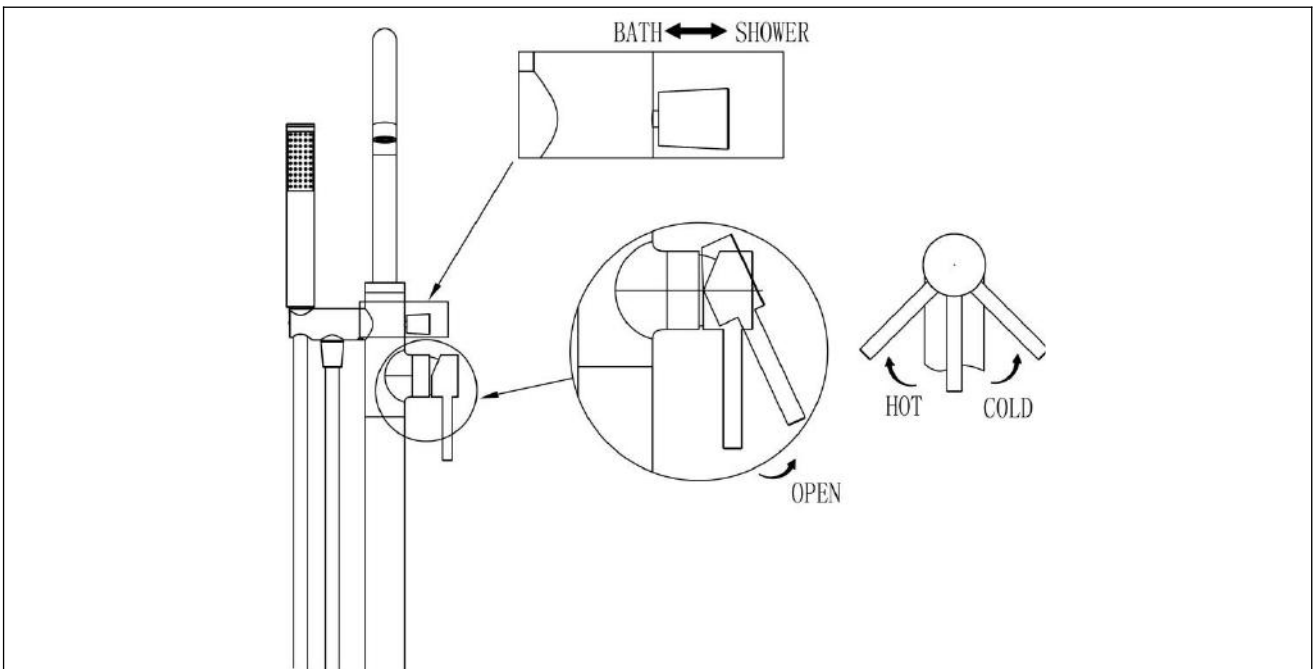




Slide down the base until it reaches the floor. Waterproof adhesive is recommended to be applied.

Turn on water supply and check for leaks.

Operation

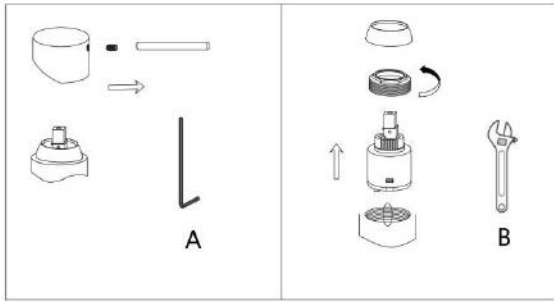


Troubleshooting

Issues	Inspection Item
Poor water flow	<ul style="list-style-type: none"> • Is there blockage within the filter mesh on aerator(2) • Was the system flushed prior to installation • Is the mixer cartridge(7) free from debris • Is there debris inside the non-return valve(14)
Water leak	<ul style="list-style-type: none"> • Is there damage or dirt with the O-ring in the aerator(2) • Is the locknut(6) on top of cartridge fully tightened • Is there damage or dirt within the O-rings of the cartridge(7) • Is there damage with rubber washer in the nuts of inlet hoses(8) • Is there damage with O-rings on the inlet hoses(8) • Is there damage or dirt with the O-rings in the non-return valve(14) • Is there damage or dirt with the O-rings in the connector(15) • Is there damage or dirt in the nuts of shower hose(16)
Handle loose	<ul style="list-style-type: none"> • Is the screw inside the handle(4) fully tightened • Is the locknut(6) on top of cartridge fully tightened
Body loose	<ul style="list-style-type: none"> • Is the floor-mounting kit underneath fully tightened

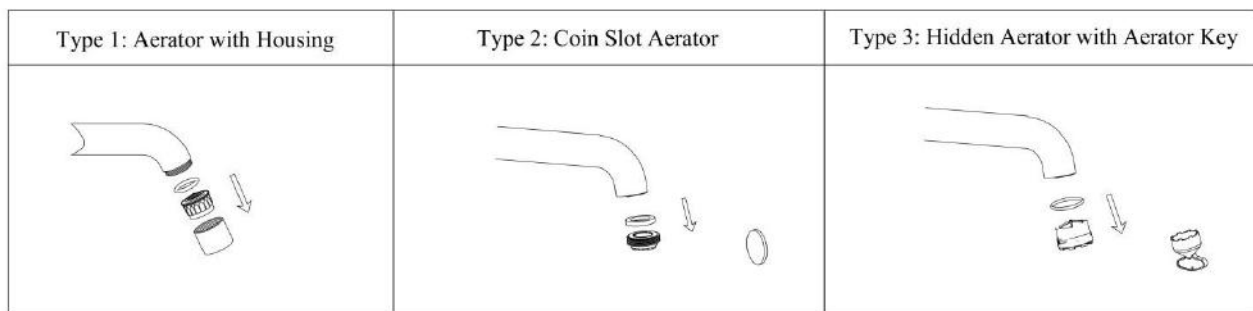
Maintenance

Replacement of Cartridge



Cleaning of Aerator

To avoid the dust and impurities from construction that might influence the water flow, it is suggested to clean the aerator on a regular basis.



Cleaning

To maintain the surface of your product, wipe with a clean damp cloth and wipe dry, do not use any abrasive cleaning agents or materials. If any harsh chemicals come into contact with the surface of the product, rinse and wipe clean immediately.

For more information

- visit betterbathrooms.com
- email customerservices@buyitdirect.co.uk
- call 03303903062
- write to Trident Business Park, Neptune Way, Huddersfield, HD2 1UA

better 
bathrooms

Part of the BuyItDirect Group